



Simplicity Bubblers
Chilled Beverage Dispensers 2x9 L+1x18
L, agitator model with locking lid and
UK plug

ITEM # _____

MODEL # _____

NAME # _____

SIS # _____

AIA # _____



CCCRKY (ECS3D22UK)

Chilled Beverage Dispenser
with 2x9 liter bowls and 1x18
l bowl with agitator and
locking lid, R290 - UK plug

Short Form Specification

Item No. _____

Chilled beverage dispenser, 2x9lt+1x18lt, with agitation function for fresh juices, coffees, or teas with minimal foaming system. Dispense 3 flavors in (2) 9lt and (1) 18lt easy-clean bowls with 23cm cup clearance. Easy-off bowl release system for faster and easier assembly and disassembly. Bowls with locking lid for added safety against tampering.

Temperature range from 1.7 - 5° C. Pre-mix dispenser with stainless steel base and clear plastic bowls.

Delivered with UK plug.

Main Features

- Agitation function for fresh juices, coffees, or teas with minimal foaming system.
- Easy-off bowl release system for faster and easier assembly and disassembly.
- User friendly design enables machine to dispense product till the very last drop.
- Dispense 3 flavors in (2) 9 L and (1) 18 L easy-clean bowls with 23 cm cup clearance.

Construction

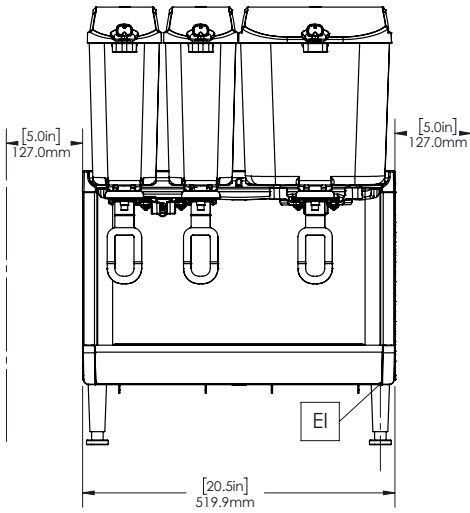
- Pre-mix dispenser with stainless steel base and clear plastic bowls.
- Fewer removable parts to simplify cleaning and reduce maintenance.
- Temperature range from 1.7 - 5° C.
- Compact size of 52 cm wide saves valuable counter space.
- The air intakes from the bottom and exhaust to back.
- Locking lid for added safety against tampering.
- Refrigerant type: R290.

APPROVAL: _____

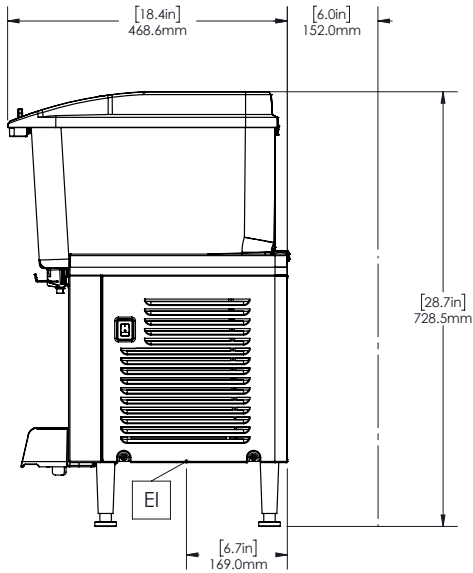


Experience the Excellence
www.electroluxprofessional.com

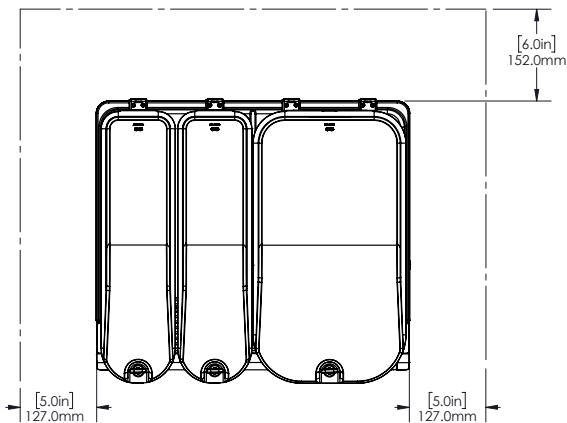
Front



Side



Top



Electric

Supply voltage:	220-240 V/1N ph/50/60 Hz
Electrical power max.:	0.6 kW

Key Information:

Net weight:	32 kg
Shipping weight:	24 kg
Shipping height:	530 mm
Shipping width:	380 mm
Shipping depth:	480 mm

Sustainability

Refrigerant type:	R290
Refrigerant weight:	85 g